



BAScontrol20 — 20-point BACnet/IP Sedona Unitary Controller

The BAScontrol20 is a 20-point unitary controller which supports BACnet/IP and Sedona Framework using an Ethernet connection. The controller complies with the B-ASC device profile having a convenient mix of 8 universal inputs, 4 binary inputs, 4 analog outputs and 4 relay (20R) or triac (20T) outputs. Unique to the unit are 48 web components which link Sedona wire sheet readable/writeable data to web pages, and 24 virtual points which link Sedona wire sheet readable/writeable data to a BACnet client. The device is fully web page-configurable, and freely programmable using Sedona's drag-and-drop

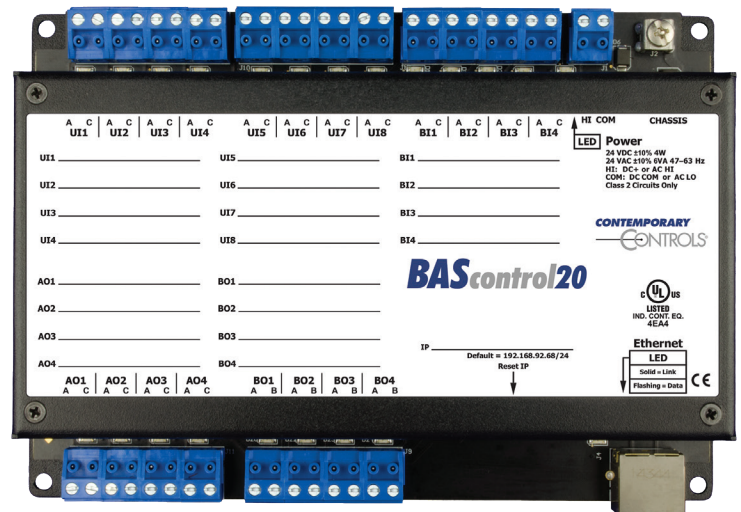
programming methodology of assembling components onto a wire sheet to create applications. The unit can be programmed using Niagara Workbench AX or a third-party Sedona programming tool such as Sedona Application Editor (SAE). Rugged design, low profile, and wide temperature operation make it suitable for indoor or outdoor use. To download the free Sedona Application Editor, visit: www.ccontrols.com/sae. For more information about Sedona, SAE, kits, components, and programming download the Sedona Reference Manual at: www.ccontrols.com/sedona.

Versatile Control Device — Unitary controller or remote Ethernet I/O

- BACnet/IP compliant with a B-ASC device profile
- Resident Sedona Virtual Machine (SVM)
- Programmable via Workbench AX or Sedona Editor
- Configurable with a common web browser
- Direct connection to Ethernet network
- NTP or manually-settable real-time clock
- COV subscriptions – 14 binary and 2 analog
- Outdoor temperature operation -40°C to +75°C

Flexible Input/Output — 20-points of physical I/O

- Eight configurable universal inputs:
 - Thermistor, resistance, analog voltage, binary input, pulse inputs (4 max)
- Four contact closure inputs
- Four analog voltage outputs
- Four relay or triac outputs (model specific)



BAScontrol20-R has four relay outputs

BASautomation® **Sedona**

BAScontrol20 — Overview

The BAScontrol20 utilizes a powerful 32-bit ARM7 processor with 512 kB of flash memory plus a 16 Mbit serial flash file system for storing configuration data and an application program.

By operating at the BACnet/IP level, the BAScontrol20 can share the same Ethernet network with supervisory controllers and operator workstations. The unit can be configured for a fixed IP address or can operate as a DHCP client receiving its IP address from a DHCP server. A real-time clock with a super-cap backup allows for creating local schedules.

A 10/100 Mbps Ethernet port supports protocols such as BACnet/IP, Sedona SOX, HTTP and FTP. Configuration of universal inputs and virtual points can be accomplished using web pages. Type II and type III 10 kΩ thermistor curves and a 20 kΩ thermistor curve are resident in the unit. Current inputs can be measured using external resistors. Contact closures require a voltage-free source. Binary inputs and outputs as well as analog outputs require no configuration. The unit is powered from either a 24VAC/VDC source.

Universal Inputs

Eight input points can be configured — all discoverable as BACnet objects.

- Analog inputs: 0–10 VDC, 12-bit resolution, 0–20 mA (with external resistor)
- Temperature inputs: Type II or Type III 10 kΩ thermistors; 20 kΩ thermistor
- Resistance inputs: 1 kΩ to 100 kΩ
- Contact closure, voltage-free
- Pulse input accumulators (UI1–UI4): accommodates active or passive sources (40 Hz max)

Binary Inputs

Four points of voltage-free contact closure

Power Input

24 VAC/VDC 6 VA half-wave rectified allows power sharing with other half-wave devices.

Earth

Optional Earth Connection

Power LED

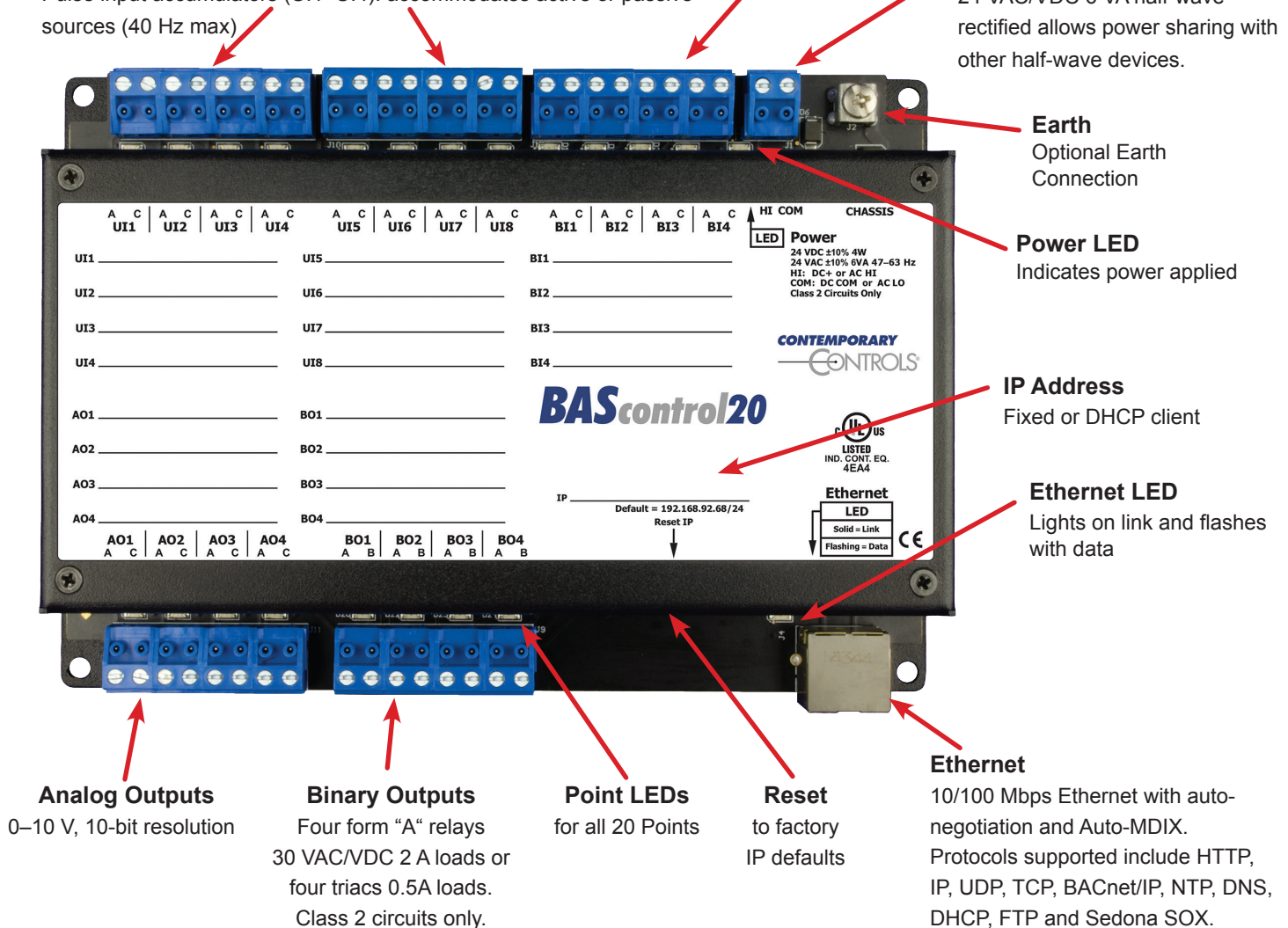
Indicates power applied

IP Address

Fixed or DHCP client

Ethernet LED

Lights on link and flashes with data



Web Page Configuration — Main Page and System

Access to the web pages is intended for the installer or skilled technicians. In order to access any of the web pages authentication is required. The default IP address is 192.68.92.68 and the default User Name and Password is admin/admin. Once on the main page, the System Configuration button can be clicked.

The main web page provides an overview of all real points plus access to other web pages. To configure a

point, click on the point and a configuration page will appear. To observe the updated data for each point, click Auto Refresh button to ON. Point values can be temporarily forced by checking the box adjacent to the point and entering a value into the point's text box (make sure Auto Refresh button is OFF). The value will remain forced until the box is unchecked or the unit power cycled. Care must be exercised when forcing values into points.

The screenshot displays the main configuration page for BAScontrol20. It features four columns of I/O points, each with a value field and a checkbox for forcing the value. Below the points is a large 'BAScontrol20' logo and a row of navigation buttons: System Config, System Status, Set Time, Virtual Points, Web Components, and Restart Controller. An 'Auto Refresh OFF' indicator is present below the buttons. At the bottom, there is copyright information for Contemporary Control Systems, Inc. (2017) and a note stating that a green label indicates an I/O point placed on the wire sheet.

Universal Inputs		Binary Inputs		Analog Outputs		Binary Outputs	
UI1	82.793°F	UI5	0.000	BI1	0	AO1	8.534
UI2	0.009	UI6	0.003	BI2	0	AO2	0
UI3	0.001	UI7	0.000	BI3	0	AO3	5.25
UI4	0.000	UI8	0.001	BI4	0	AO4	7.25
						BO1	0
						BO2	0
						BO3	1
						BO4	1

The IP settings can be changed to the desired values. Either DHCP or a static IP address can be selected. If a static address is desired, enter the value along with the network mask and gateway address. If domain addresses are required, for using NTP enter in the Primary and Secondary DNS addresses.

BACnet device data must be entered when using BACnet. Make sure the Device Instance and Device Object Name are both unique over the complete BACnet Internetwork.

Either BACnet or Sedona protocols or both can be selected.

Authentication credentials can be changed from the default values.

The screenshot shows two configuration pages side-by-side. The left page is 'IP Configuration' and the right page is 'BACnet Device Configuration'. Both pages have input fields for various settings and checkboxes for protocol selection. The BACnet page also includes a section for authentication credentials.

IP Configuration		BACnet Device Configuration	
IP Mode	Static IP	Device Object Name	BAScontrol20
IP Address	10.0.13.9	Device Instance	21309
Netmask	255.255.240.0	UDP Port	47808
Gateway	10.0.0.1	BBMD IP Address	0.0.0.0
Primary DNS	8.8.8.8	BBMD Reg Time	100
Secondary DNS	8.8.4.4		
		Enable Protocol	
		BACnet/IP	<input checked="" type="checkbox"/>
		Sedona	<input checked="" type="checkbox"/>
		FTP	<input type="checkbox"/>
		Authentication	
		User Name	admin
		Password
		Close	Submit

NOTE: You must click the Submit button to store any changes.
Changes will not take effect until the controller has been restarted. You can restart the controller from the main page.

Web Page Configuration — Channel, Time and Web Components

BAS Channel Configuration

Channel Type: U11

Temperature Offset:

Temperature Units: Out of Bounds Value:

BACnet Object Configuration

Object Instance:

Object Name:

Object Type:

Object Description:

Units:

COV Increment:

System Time

Year:

Month:

Day:

Hour:

Minute:

NTP Configuration

NTP Enabled

NTP Server:

Time Zone:

NTP Refresh (Days):

NTP Success

DST Configuration

DST Enabled

	DST ON	DST OFF
Month:	<input type="text" value="March"/>	<input type="text" value="November"/>
Day of Month:	<input type="text" value="2nd SUN"/>	<input type="text" value="1st SUN"/>
Hour:	<input type="text" value="2 AM"/>	<input type="text" value="2 AM"/>

The BAS Channel should be configured first. Universal inputs must first be defined which may lead to more requests for information. Once the BAS Channel is configured, the BACnet Object Configuration can be accomplished. Although the BACnet Object Instance is predefined, the Object Name can be entered and Units can be selected with the drop-down. The COV Increment can be specified for those channels intended for COV reporting by the BACnet client device.

Time and date can be set manually or with the help of a NTP server if access to the Internet is possible. Daylight Savings Time can also be supported. Manually-set time is backed up for seven days through the use of a super-cap in the event of power loss. If accessing an NTP server using domain names, make sure the DNS servers are specified in the System Configuration screen.

Separate web pages allow for the configuration of up to 48 web components. Web components provide a means to write and read data to and from Sedona wire sheets without the need of a Sedona or BACnet tool. A web component configured as a wire sheet input can have its input range restricted to minimum and maximum values eliminating the need to add limit detection within the wire sheet logic. Web components are ideal for simplified control logic configuration.

Web Components

<PREV NEXT>

	Description	Value	Wire Sheet	Min	Max
WC01	Space Temperature (SpcTmp)	83.382370	Output		
WC02	Occupied Damper (OccDmp)	1.000000	Output		
WC03	Default Web Component 3	0.000000	Input	0.000000	100.000000
WC04	Default Web Component 4	0.000000	Input	0.000000	100.000000
WC05	Default Web Component 5	0.000000	Input	0.000000	100.000000
WC06	Default Web Component 6	0.000000	Input	0.000000	100.000000
WC07	Default Web Component 7	0.000000	Input	0.000000	100.000000
WC08	Default Web Component 8	0.000000	Input	0.000000	100.000000

Auto Refresh ON NOTE: A GREEN label indicates that the component has been placed on the wire sheet.

Virtual Points

Space Temperature Zone 1 VT01 83.187 <input type="checkbox"/>	Occupied State VT09 0.000 <input type="checkbox"/>	Virtual Point 17 VT17 0.000 <input type="checkbox"/>
Cooling Runtime in Hrs VT02 0.000 <input type="checkbox"/>	Virtual Point 10 VT10 0.000 <input type="checkbox"/>	Virtual Point 18 VT18 0.000 <input type="checkbox"/>
Virtual Point 3 VT03 0.000 <input type="checkbox"/>	Virtual Point 11 VT11 0.000 <input type="checkbox"/>	Virtual Point 19 VT19 0.000 <input type="checkbox"/>
Virtual Point 4 VT04 0.000 <input type="checkbox"/>	Virtual Point 12 VT12 0.000 <input type="checkbox"/>	Virtual Point 20 VT20 0.000 <input type="checkbox"/>
Virtual Point 5 VT05 0.000 <input type="checkbox"/>	Virtual Point 13 VT13 0.000 <input type="checkbox"/>	Virtual Point 21 VT21 0.000 <input type="checkbox"/>
Virtual Point 6 VT06 0.000 <input type="checkbox"/>	Virtual Point 14 VT14 0.000 <input type="checkbox"/>	Virtual Point 22 VT22 0.000 <input type="checkbox"/>
Virtual Point 7 VT07 0.000 <input type="checkbox"/>	Virtual Point 15 VT15 0.000 <input type="checkbox"/>	Virtual Point 23 VT23 0.000 <input type="checkbox"/>
Virtual Point 8 VT08 0.000 <input type="checkbox"/>	Virtual Point 16 VT16 0.000 <input type="checkbox"/>	Virtual Point 24 VT24 0.000 <input type="checkbox"/>

Auto Refresh OFF

NOTES:

1. A GREEN label means that the virtual point has been placed on the wire sheet. The label hover text indicates if the point is configured as "Read from Wire Sheet" or "Write to Wire Sheet"
2. Values for virtual points VT01-VT08 are kept in persistent memory and will remain unchanged through resets and power cycles.

The 24 virtual points are viewable from a separate web page.

System Status

Firmware Revision 3.1.23	MAC Address 00:50:DB:01:74:66	Available Memory 27200
-----------------------------	----------------------------------	---------------------------

System Message Log

```

BAScontrol20 : 3.1.23 : May 23 2017 : 09:00:51
Free memory: 98520
Watchdog timer enabled
Refreshing chn_data.xml...done
Low memory limit= 8192
Creating object name and instance mappings...done
Reading binary object data file...done
IP Addr: 10.0.13.9
IP Mask: 255.255.240.0
IP Gate: 10.0.0.1
Start Responder...OK

bacnet-ip : 3.1.23 : May 23 2017 : 09:00:34
SVM starting: 46304 bytes free
Running SVM in platform mode
Sedona VM 1.2.28
buildDate: May 23 2017 09:00:48
endian: little
blockSize: 4
refSize: 4
Network initialized
RTC Time: Wed May 31 15:51:11 2017
    
```

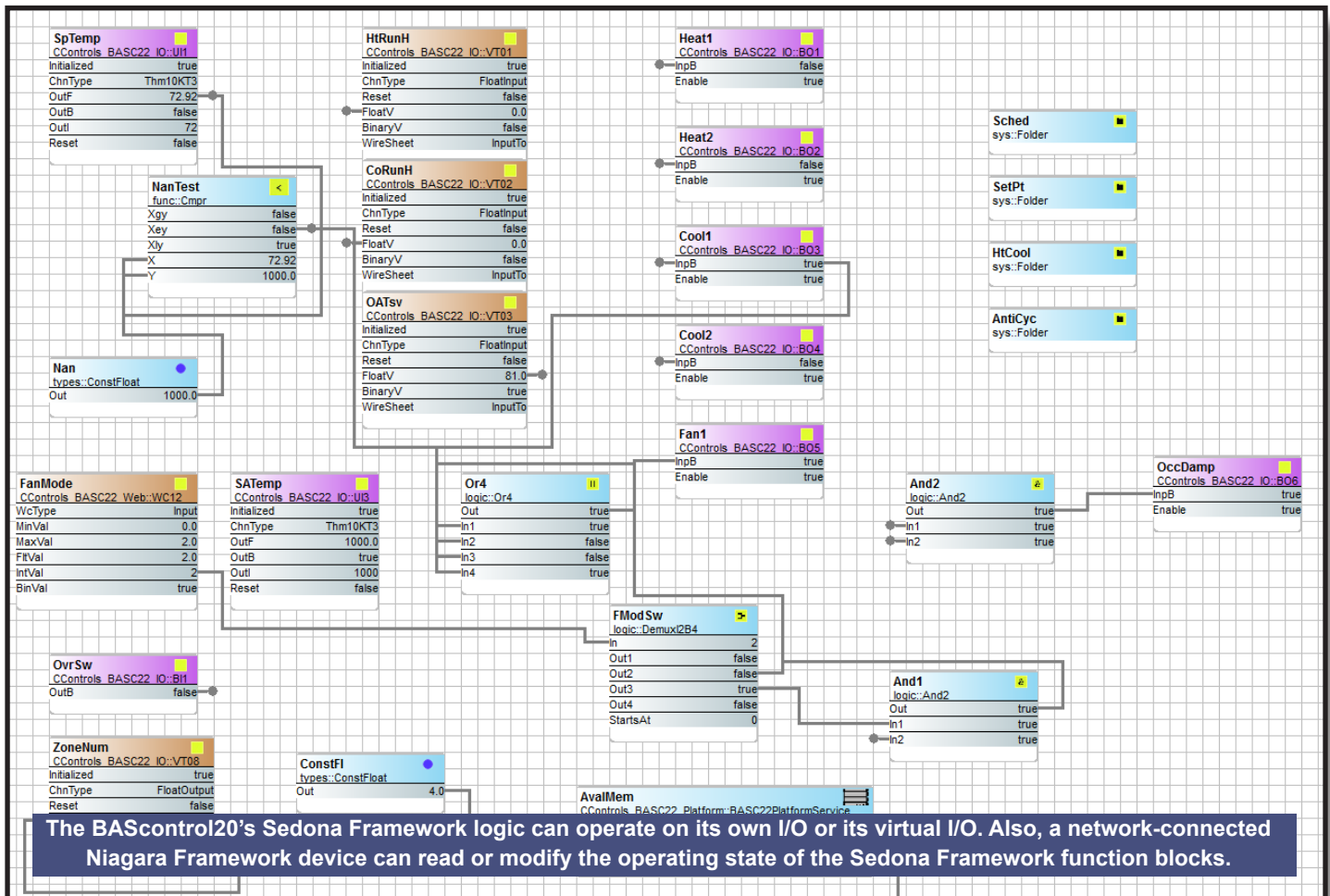
The System Status page provides information on the controller.

Powered by a Sedona Virtual Machine — for Implementing Control

The BAScontrol20 incorporates Sedona Virtual Machine (SVM) technology developed by Tridium. Using Niagara Workbench AX or Contemporary Controls' Sedona Application Editor, a system integrator can develop a control application using Sedona's powerful drag-and-drop visual programming methodology. Once developed, the program remains stored in the BAScontrol20 and executes by way of the SVM. The application can run standalone in the BAScontrol20 or it can interact with a program in a Tridium JACE supervisory controller over Ethernet. The number of potential applications is only limited by the imagination of the systems integrator.

The BAScontrol20 includes Tridium's Sedona 1.2 kits of components — and Contemporary Controls' product-specific and non-product-specific kits. The BAScontrol20 IO Kit components provide 20 physical points, 24 virtual points and four retentive counters. The BAScontrol20 Web Kit has 48 components that share data with webpages. Input components receive data from hosted webpages. Output components send data to hosted webpages. The Contemporary Controls' Function kit provides additional components for increased flexibility.

The free Sedona Application Editor, Workbench AX, or a third-party Sedona tool can be used to program Sedona applications running on the BAScontrol 20.



The BAScontrol20's Sedona Framework logic can operate on its own I/O or its virtual I/O. Also, a network-connected Niagara Framework device can read or modify the operating state of the Sedona Framework function blocks.

Contemporary Controls' Developed Sedona Components

BAScontrol20 I/O Kit BAScontrol20 platform specific components

AO1 – AO4	Analog output – analog voltage output point
BI1 – BI4	Binary input – binary input point
BO1 – BO6	Binary output – binary output point
ScanTim	Scan time monitor – records the min, max and average scan times
UI1 – UI4	Universal input – binary, analog voltage, thermistor, resistance or accumulator
UI5 – UI8	Universal input – binary, analog voltage, thermistor or resistance
UC1 – UC4	Retentive universal counters – up/down retentive counters
VT01 – VT08	Retentive virtual points – share retentive wire sheet data with BACnet/IP clients
VT09 – VT24	Virtual points – share wire sheet data with BACnet/IP clients

BAScontrol20 Web Kit BAScontrol20 platform specific components

WC01 – WC48	Web components – share wire sheet data with the BAScontrol20 web pages
--------------------	--

Contemporary Controls Function Kit Common to Sedona 1.2 compliant controllers

Cand2	Two-input Boolean product – two-input AND/NAND gate with complementary outputs
Cand4	Four-input Boolean product – four-input AND/NAND gate with complementary outputs
Cand6	Six-input Boolean product – six-input AND/NAND gate with complementary outputs
Cand8	Eight-input Boolean product – eight-input AND/NAND gate with complementary outputs
Cmt	Comment – comment field up to 64 characters
Cor2	Two-input Boolean sum – two-input OR/NOR gate with complementary outputs
Cor4	Four-input Boolean sum – four-input OR/NOR gate with complementary outputs
Cor6	Six-input Boolean sum – six-input OR/NOR gate with complementary outputs
Cor8	Eight-input Boolean sum – eight-input OR/NOR gate with complementary outputs
CtoF	°C to °F – Celsius to Fahrenheit Temperature Conversion
Dff	“D” Flip-Flop – D-style Edge-triggered Single-bit Storage
FtoC	°F to °C – Fahrenheit to Celsius Temperature Conversion
HLpre	High – Low Preset – defined logical true and false states
PsychrE	Psychrometric Calculator – English Units
PsychrS	Psychrometric Calculator – SI Units
SCLatch	Set/Clear Latch – single-bit level-triggered single-bit data storage

Tridium’s Sedona 1.2 Components

<p>The HVAC Group operations that facilitate control</p>	<p>LSeq ReheatSeq Reset Tstat</p>	<p>Linear Sequencer — bar graph representation of input value Reheat sequence — linear sequence up to four outputs Reset — output scales an input range between two limits Thermostat — on/off temperature controller</p>
<p>The Scheduling Group scheduling operations based upon time of day</p>	<p>DailySc DailyS1 DateTime</p>	<p>Daily Schedule Boolean — two-period Boolean scheduler Daily Schedule Float — two-period float scheduler Time of Day — time, day, month, year</p>
<p>The Function Group convenient functions for developing control schemes</p>	<p>Cmpr Count Freq Hysteresis IRamp Limiter Linearize LP Ramp SRLatch TickTock UpDn</p>	<p>Comparison math — comparison (<=>) of two floats Integer counter — up/down counter with integer output Pulse frequency — calculates the input pulse frequency Hysteresis — setting on/off trip points to an input variable IRamp — generates a repeating triangular wave with an integer output Limiter — Restricts output within upper and lower bounds Linearize — piecewise linearization of a float LP — proportional, integral, derivative (PID) loop controller Ramp — generates a repeating triangular or sawtooth wave with a float output Set/Reset Latch — single-bit data storage Ticking clock — an astable oscillator used as a time base Float counter — up/down counter with float output</p>
<p>The Priority Group prioritizing actions of Boolean, Float and Integer variables</p>	<p>PrioritizedBool PrioritizedFloat PrioritizedInt</p>	<p>Prioritized boolean output — highest of sixteen inputs Prioritized float output — highest of sixteen inputs Prioritized integer output — highest of sixteen inputs</p>
<p>The Types Group variable types and conversion between types</p>	<p>B2F ConstBool ConstFloat ConstInt F2B F2I I2F L2F WriteBool WriteFloat WriteInt</p>	<p>Binary to float encoder — 16-bit binary to float conversion Boolean constant — a predefined Boolean value Float constant — a predefined float variable Integer constant — a predefined integer variable Float to binary decoder — float to 16-bit binary conversion Float to integer — float to integer conversion Integer to float — integer to float conversion Long to float — long integer to float conversion Write Boolean — setting a writable Boolean value Write Float — setting a writable float value Write integer — setting an integer value</p>
<p>The Logic Group logical operations using Boolean variables</p>	<p>ADemux2 And2 And4 ASW ASW4 B2P BSW DemuxI2B4 ISW Not Or2 Or4 Xor</p>	<p>Analog Demux — Single-input, two-output analog de-multiplexer Two-input Boolean product — two-input AND gate Four-input Boolean product — four-input AND gate Analog switch — selection between two float variables Analog switch — selection between four floats Binary to pulse — simple mono-stable oscillator (single-shot) Boolean switch — selection between two Boolean variables Four-output Demux — integer to Boolean de-multiplexer Integer switch — selection between two integer variables Not — inverts the state of a Boolean Two-input Boolean sum — two-input OR gate Four-input Boolean sum — four-input OR gate Two-input exclusive Boolean sum — two-input XOR gate</p>
<p>The Timing Group time-based components</p>	<p>DlyOff DlyOn OneShot Timer</p>	<p>Off delay timer — time delay from a “true” to “false” transition of the input On delay timer — time delay from an “false” to “true” transition of the input Single Shot — provides an adjustable pulse width to an input transition Timer — countdown timer</p>
<p>The Math Group math-based components</p>	<p>Add2 Add4 Avg10 AvgN Div2 FloatOffset Max Min MinMax Mul2 Mul4 Neg Round Sub2 Sub4 TimeAvg</p>	<p>Two-input addition — results in the addition of two floats Four-input addition — results in the addition of four floats Average of 10 — sums the last ten floats while dividing by ten thereby providing a running average Average of N — sums the last N floats while dividing by N thereby providing a running average Divide two — results in the division of two float variables Float offset — float shifted by a fixed amount Maximum selector — selects the greater of two inputs Minimum selector — selects the lesser of two inputs Min/Max detector — records both the maximum and minimum values of a float Multiply two — results in the multiplication of two floats Multiply four — results in the multiplication of four floats Negate — changes the sign of a float Round — rounds a float to the nearest N places Subtract two — results in the subtraction of two floats Subtract four — results in the subtraction of four floats Time average — average value of float over time</p>

BACnet Protocol Implementation Conformance (PIC) Statement



BAScontrol20 BACnet/IP Sedona Field Controller



BACnet Protocol Implementation Conformance Statement (Annex A)

Date: August 29, 2016
Vendor Name: Contemporary Controls
Product Name: BAScontrol20
Product Model Number: BASC-20R and BASC-20T
Applications Software Version: 1.2.28 **Firmware Revision:** 3.1.2 **BACnet Protocol Revision:** 3
Product Description: BACnet/IP compliant 20-point field controller or remote I/O that allows a direct connection to Ethernet without the need of a BACnet router.

- BACnet Standardized Device Profile (Annex L):**
- BACnet Operator Workstation (B-OWS)
 - BACnet Building Controller (B-BC)
 - BACnet Advanced Application Controller (B-AAC)
 - BACnet Application Specific Controller (B-ASC)
 - BACnet Smart Sensor (B-SS)
 - BACnet Smart Actuator (B-SA)

- List all BACnet Interoperability Building Block Supported (Annex K):**
- DS-RP-B Data Sharing — ReadProperty – B
 - DS-WP-B Data Sharing — WriteProperty – B
 - DS-RPM-B Data Sharing — ReadPropertyMultiple – B
 - DS-COV-B Data Sharing — ChangeOfValue – B
 - DM-DDB-B Device Management — Dynamic Device Binding – B
 - DM-DOB-B Device Management — Dynamic Object Binding – B
 - DM-DCC-B Device Management — Device Communication Control – B
 - DM-TS-B Device Management — Time Synchronization – B

- Segmentation Capability:**
- Able to transmit segmented messages Window Size:
 - Able to receive segmented messages Window Size:

Standard Object Types Supported:

Object Type Supported	Can Be Created Dynamically	Can Be Deleted Dynamically
Analog Input	No	No
Analog Output	No	No
Analog Value	No	No
Binary Input	No	No
Binary Output	No	No
Binary Value	No	No
Device	No	No

No optional properties are supported.

Data Link Layer Options:

- BACnet IP, (Annex J)
- BACnet IP, (Annex J), Foreign Device
- ISO 8802-3, Ethernet (Clause 7)
- ANSI/ATA 878.1, EIA-485 ARCNET (Clause 8), baud rate(s):
- MS/TP master (Clause 9), baud rate(s):
- MS/TP slave (Clause 9), baud rate(s):
- Point-To-Point, EIA 232 (Clause 10), baud rate(s):
- Point-To-Point, modem, (Clause 10), baud rate(s):
- LonTalk, (Clause 11), medium:
- Other:

Device Address Binding:

Is static device binding supported? (This is currently necessary for two-way communication with MS/TP slaves and certain other devices.) Yes No

Networking Options:

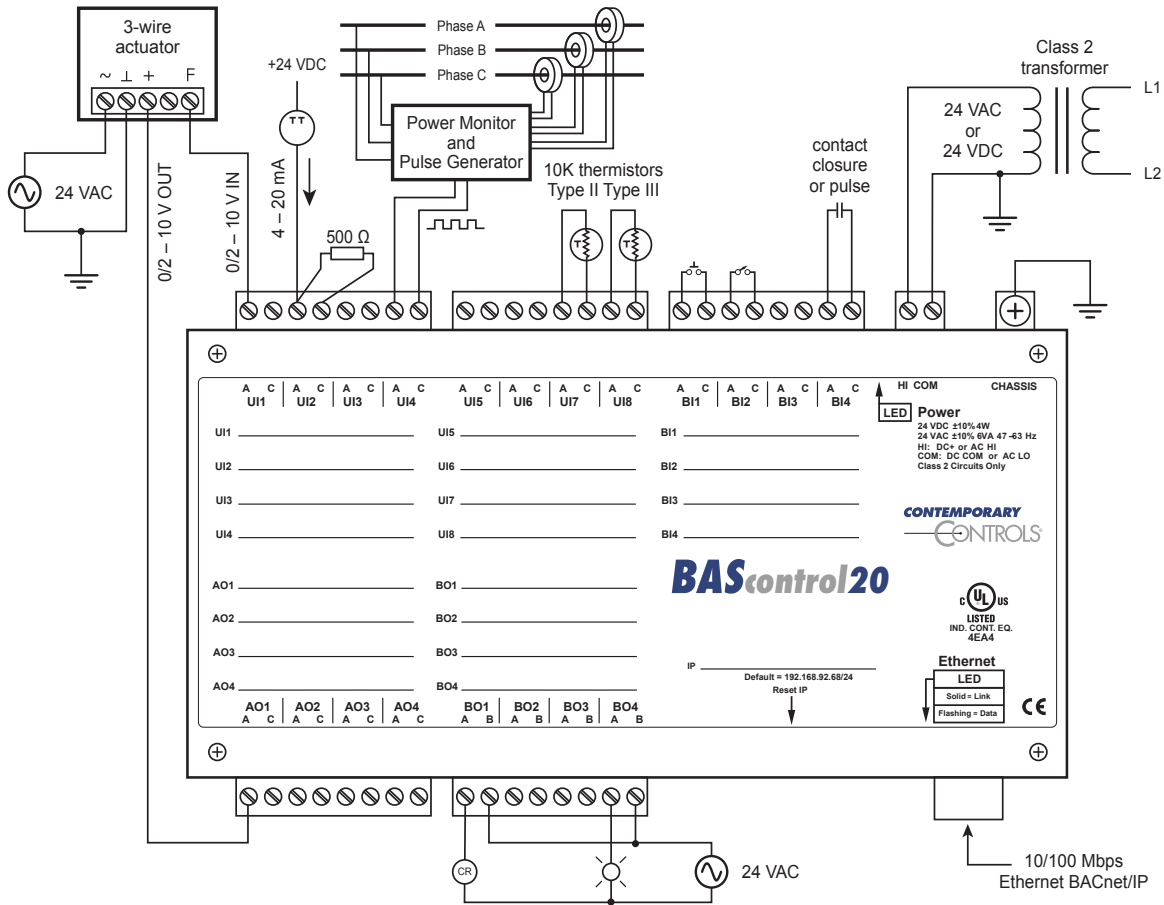
- Router, Clause 6 – List all routing configurations, e.g., ARCNET-Ethernet-MS/TP, etc.
- Annex H, BACnet Tunnelling Router over IP
- BACnet/IP Broadcast Management Device (BBMD)
Does the BBMD support registrations by Foreign Devices? Yes No

Character Sets Supported:

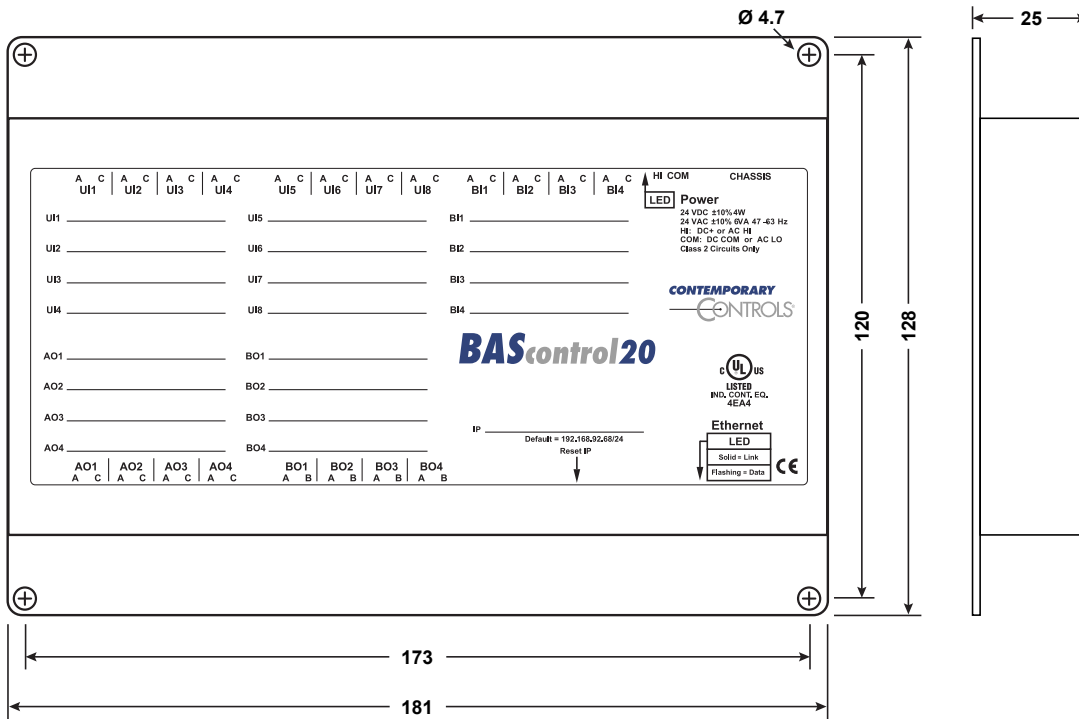
- Indicating support for multiple character sets does not imply that they can all be supported simultaneously.
- ANSI X3.4
 - ISO 10646 (UCS-2)
 - IBM™/Microsoft™ DBCS
 - ISO 10646 (UCS-4)
 - ISO 8859-1
 - JIS C 6226

If this product is a communication gateway, describe the types of non-BACnet equipment/network(s) that the gateway supports:
 No gateway support.

Wiring Diagram



Dimensions (all dimensions are in mm)



Specifications

Universal Inputs (Points UI1 through UI8)

Configured As	Characteristics
Analog input	0–10 VDC or 0–20 mA (with external resistor). Input impedance 1 MΩ on voltage.
Temperature input	Type II 10 kΩ thermistors: –10° to +190 °F (–23.3° to +87.8°C) Type III 10 kΩ thermistors: –15° to +200 °F (–26.1° to +93.3°C) 20 kΩ thermistors: 15° to 215° F (–9° to +101° C)
Contact closure input	Excitation current 0.5 mA. Open circuit voltage 12 VDC. Sensing threshold 3 VDC (low) and 7 VDC (high). Response time 20 ms.
Pulse input (Points UI1–UI4)	0–10 VDC for active output devices 0–12 VDC for passive devices (configured for internal pull-up resistor) 40 Hz maximum input frequency with 50% duty cycle. Adjustable high and low thresholds.
Resistance	1 kΩ -100 kΩ range

Binary Inputs (Points BI1 through BI4)

Contact closure	Excitation current 1.2 mA. Open circuit voltage 12 VDC Sensing threshold 3 VDC (low) and 7 VDC (high). Response time 20 ms
-----------------	---

Analog Outputs (Points AO1 through AO4)

Analog output	0–10 VDC. 10-bit resolution. 4 mA maximum
---------------	---

Binary Outputs (Points BO1 through BO4) (Class 2 circuits only — requires external power source)

Model BASC-20R	Normally open relay contacts. 30 VAC/VDC 2 A
Model BASC-20T	Isolated triacs. 30 VAC 0.5 A

Regulatory Compliance

CE Mark; CFR 47, Part 15 Class A; RoHS
UL 508, C22.2 No. 142-M1987



Functional

Compliance	IEEE 802.3
Protocols supported	BACnet/IP, Sedona SOX, HTTP and FTP
Data rate	10 Mbps, 100 Mbps
Physical layer	10BASE-T, 100BASE-TX
Cable length	100 m (max)
Port connector	Shielded RJ-45
LED	Green = Link established Flash = Link activity

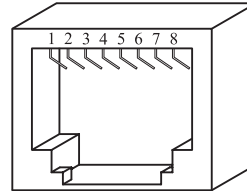
Electrical

Input (DC or AC)	DC	AC
Voltage (V, ± 10%)	24	24
Power	4 W	6 VA
Frequency	N/A	47–63 Hz

Specifications (continued)

Environmental/Mechanical

Operating temperature	-40°C to +75°C
Storage temperature	-40°C to +85°C
Relative humidity	10–95%, noncondensing
Protection	IP30
Weight	0.6 lbs. (.27 kg)



RJ-45 Pin Assignments

10BASE-T/100BASE-TX

Terminal	Usage
1	TD +
2	TD –
3	RD +
6	RD –
Other pins	Not Used

Electromagnetic Compatibility

Standard	Test Method	Description	Test Levels
EN 55024	EN 61000-4-2	Electrostatic Discharge	6 kV contact & 8 kV air
EN 55024	EN 61000-4-3	Radiated Immunity	10 V/m, 80 MHz to 1 GHz
EN 55024	EN 61000-4-4	Fast Transient Burst	1 kV clamp & 2 kV direct
EN 55024	EN 61000-4-5	Voltage Surge	2 kV L-L & 2 kV L-Earth
EN 55024	EN 61000-4-6	Conducted Immunity	10 Volts (rms)
EN 55024	EN 61000-4-11	Voltage Dips & Interruptions	1 Line Cycle, 1 to 5 s @ 100% dip
EN 55022	CISPR 22	Radiated Emissions	Class A
EN 55022	CISPR 22	Conducted Emissions	Class B
CFR 47, Part 15	ANSI C63-4	Radiated Emissions	Class A

Ordering Information

Model	Description
BASC-20R	BAScontrol20 BACnet Server 20-Point 4 Relays
BASC-20T	BAScontrol20 BACnet Server 20-Point 4 Triacs

United States

Contemporary Control Systems, Inc.
2431 Curtiss Street
Downers Grove, IL 60515
USA

Tel: +1 630 963 7070
Fax: +1 630 963 0109

info@ccontrols.com

China

Contemporary Controls (Suzhou) Co. Ltd
19F, Metropolitan Towers,
No.199 Shishan Road,
Suzhou New District,
215009 China

Tel: +86 512 68095866
Fax: +86 512 68093760

info@ccontrols.com.cn

United Kingdom

Contemporary Controls Ltd
14 Bow Court
Fletchworth Gate
Coventry CV5 6SP
United Kingdom

Tel: +44 (0)24 7641 3786
Fax: +44 (0)24 7641 3923

ccl.info@ccontrols.com

Germany

Contemporary Controls GmbH
Fuggerstraße 1 B
04158 Leipzig
Germany

Tel: +49 341 520359 0
Fax: +49 341 520359 16

ccg.info@ccontrols.com

www.ccontrols.com